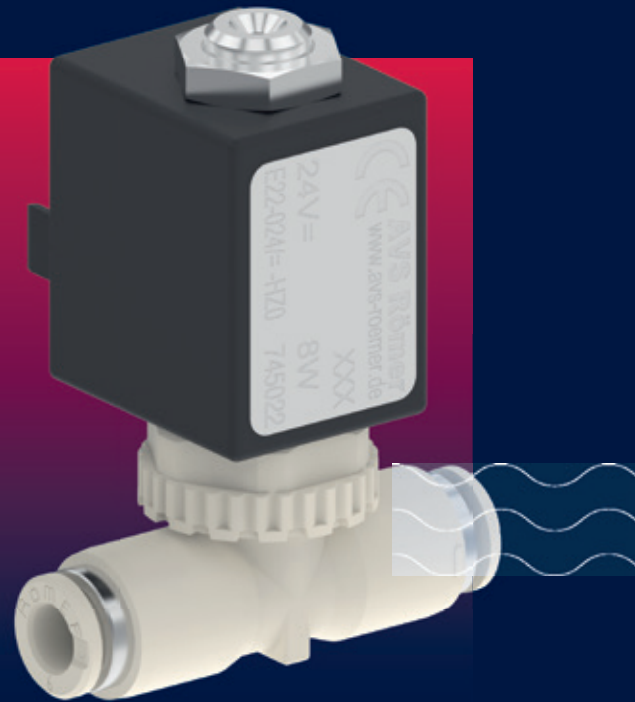


EAV 800 – direct-acting 2/2- and 3/2-directional solenoid valve made of plastic

Plastic replaces metal.

The combination of high-performance plastic with particularly corrosion-resistant magnetic steels makes the EAV 800 perfect for demanding applications in food & beverage and life science sectors.

Whether aggressive media, high temperatures or strong operating pressures – the outstanding resistance to chemical and mechanical influences makes the EAV 800 a cost-effective alternative to stainless steel.



ADVANTAGES



NSF 169 certified and FDA compliant

FDA compliant materials and NSF certified product ensure safe use in food & beverage and life science.



Low heat lost

The insulating property of the plastic minimizes the temperature transfer from the medium to the body.



Fail-safe, durable, lightweight

Welded stainless steel plunger guide ensures maximum pressure and leakage resistance for a long service life.



Highest flexibility

Solenoid coils with different power classes enable optimum adaptation to a wide range of requirements in practice.



Maximum resistance

Temperatures up to 130 °C, operating pressures up to 16 bar characterize the EAV 800 with water vapor resistant magnet system.



Simply mounted

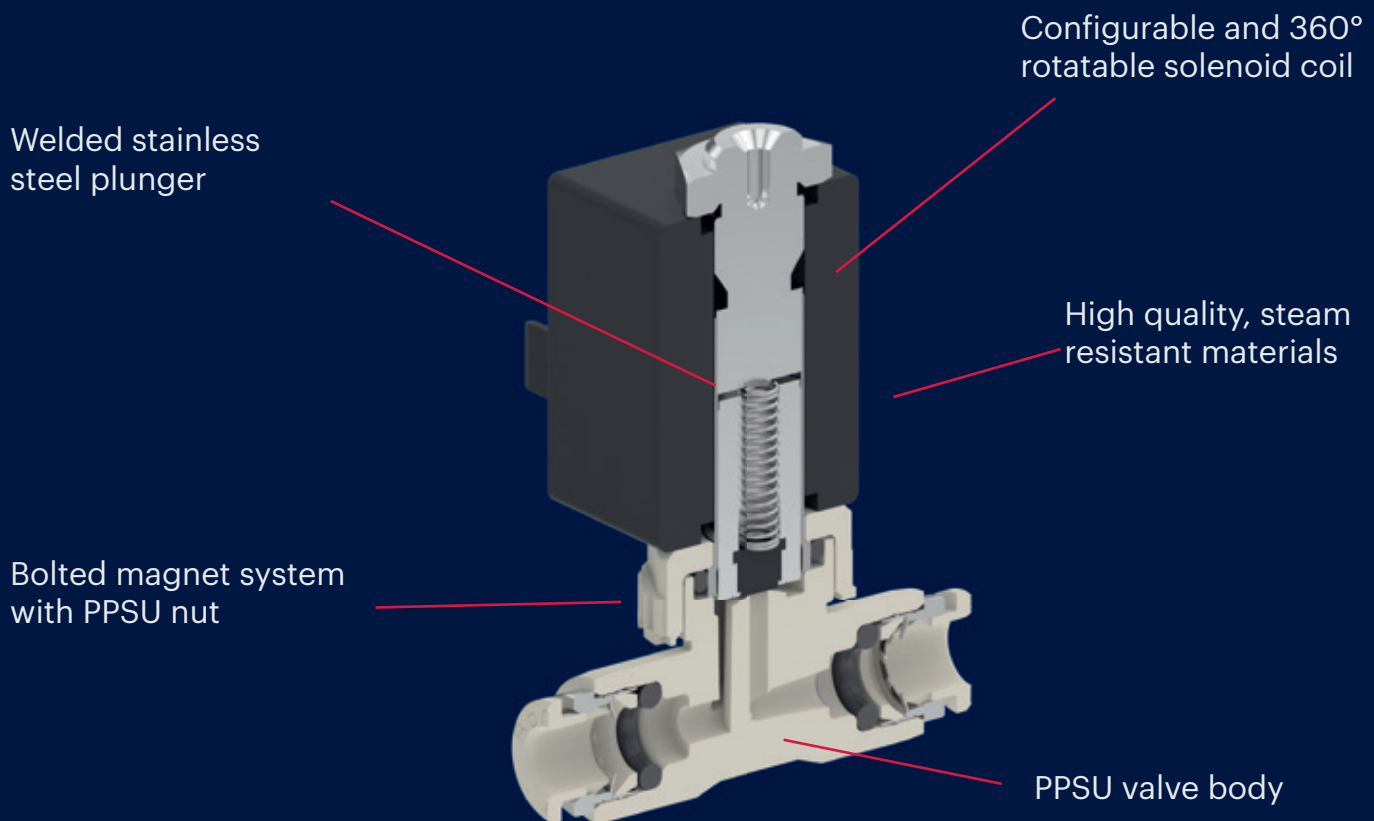
The proven AVS Römer push-in technology allows quick and easy assembly and disassembly without any tools.



The perfect solution for controlling hot water and steam

The EAV 800 offers the perfect solution for controlling hot water or steam in a wide variety of applications such as:

- Hot and cold beverage dispensers
- Dental treatment units
- Electric hot and cold water taps



TECHNICAL SPECIFICATIONS

Type	direct-acting solenoid valve with elastic sealing	Nominal pressure	up to 16 bar
Version	2/2- and 3/2-way	Medium temperature	-10 °C to +130 °C
Connection sizes	push-in Ø 4 and Ø 6	Materials in contact with the medium	PPSU, stainless steel and FKM or EPDM as seal material
Nominal diameter	up to DN 3	Approval	NSF 169



AVS Römer GmbH & Co. KG

Reismühle 3 • 94481 Grafenau • Phone: +49 8552 4076 300
info@avs-roemer.de • www.avs-roemer.de

