

COMPACTNESS AND PERFORMANCE PERFECTLY COMBINED

ETV 400 - MEDIUM SEPARATED LEVER VALVE

THE MEDIUM SEPARATED VALVE CONCEPT MADE BY AVS-RÖMER
FOR MORE FLEXIBLE APPLICATIONS



The ETV 400 is available with coaxial or 90° flow, in 2/2- or 3/2-way

Special Features:

- Maintenance free
- Wide variability due to different solenoid coil sizes
- Protected against dust ingress and high-pressure water jets
- High corrosion resistance
- No heat exchange between coil and medium
- Minimal heat loss
- High functional reliability through quality controls
- High energy efficiency through user specific design
- Original Push-In cartridges by AVS-Römer for a quick and tool-free assembly

Application Fields:

- Food and Beverage Industry
- Medical and Pharma Industry
- Water Treatment and Purification
- Chemical Industry



Further certifications on demand

COMPONENT

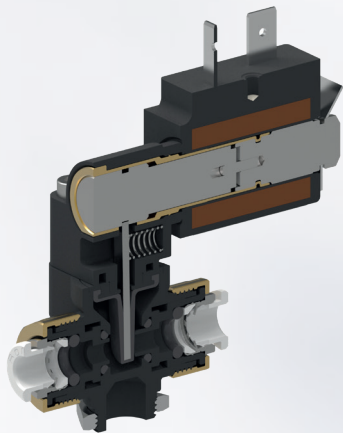
Characteristics:

- Suitable for fluids and gases
- Valve body made of high-quality plastics
- Max. operating temperature 290 °F (143 °C)
- Max. operating pressure 232 psi (16 bar)
- Nominal diameter: 1,5 – 4 mm
- Connection sizes: 4 and 6 mm (outer diameter)
- Nominal power: 8 W (other versions available)
- Voltage: 24V DC (other versions available)
- FDA compliant materials
- In combination with cable socket it is protected against dust ingress and high-pressure water jets (protection class IP 65)
- NSF 169 certified

Function:

When the solenoid coil is actuated, the spring force operates against the pivot mounted lever. The membrane which is fitted over the lever also acts as seal. Therefore, the interior of the valve is spatially and thermally separated from the solenoid coil system.

This medium separation provides high corrosion resistance and contamination of the solenoid coil system. The ETV 400 is thus maintenance free and resource friendly, therefore the perfect solution for every application.



Designed and Made by AVS Römer



Connecting - Controlling - Measuring of Fluids & Gases

In addition to our broad product portfolio we also strive to develop customized solutions for your application.

Contact us to learn more about AVS-Römer!



AVS Römer · MADE IN GERMANY

info@avs-roemer.de · +49 8552 4076 301

www.avs-roemer.de