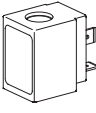
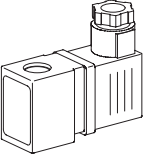
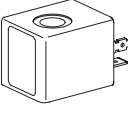
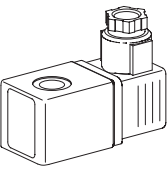


**Solenoid Coils**

Price group <b>53</b>	Special voltage: 12 V to 230 V, AC 50 to 60 Hz or DC	Duty cycle: 100 %, when installed on solenoid valve	Housing components epoxy resin encapsulated	* Value applies to use with 4/2-way solenoid valve type EWW	<b>Epoxy resin encapsulated</b>
-----------------------	--	---	---	---	---------------------------------

Irrespective of the information in the solenoid valve tables a housing temperature of +155 °C may not be exceeded. The value is limited to +120 °C with use of a cable socket. In case of doubt we are pleased to advise you.

Thermal class H

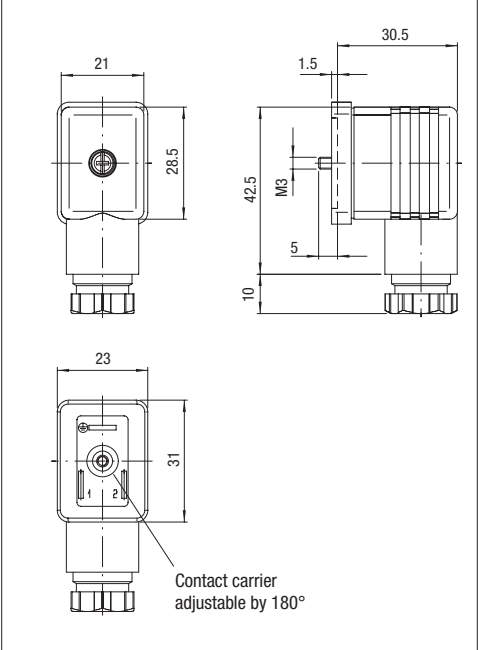
Version	Cable socket	Pro-tection class	Nominal power P <sub>20</sub>		Nominal voltage [V]	Operational voltage [V]			Type	Order number	Price	
			AC [VA]	DC [W]		AC 50 Hz	AC 60 Hz	DC				
 Solenoid housing E22 (22 mm wide)	without	IP 00	-	approx. 5	12 =	-	-	10.8 - 13.2	E22-012 / = -M0	720015	o. r.	
	without	IP 00	-	approx. 8	12 =	-	-	10.8 - 13.2	E22-012 / = -H0	720005	o. r.	
	without	IP 00	-	approx. 2.5	12 =	-	-	10.8 - 13.2	E22-012 / = -L0	720065	o. r.	
	without	IP 00	-	approx. 5	24 =	-	-	21.6 - 26.4	E22-024 / = -M0	720016	o. r.	
	without	IP 00	-	approx. 8	24 =	-	-	21.6 - 26.4	E22-024 / = -H0	720006	o. r.	
	without	IP 00	-	approx. 2.5	24 =	-	-	21.6 - 26.4	E22-024 / = -L0	720066	o. r.	
	without	IP 00	approx. 5.5	-	24/50	21.6 - 26.4	on req.	-	E22-024/50-M0	720012	o. r.	
	without	IP 00	approx. 3.5	-	24/50	21.6 - 26.4	on req.	-	E22-024/50-L0	720062	o. r.	
	without	IP 00	approx. 5.5 or 7.3*	-	42/50	37.6 - 46.4	on req.	-	E22-042/50-M0	720013	o. r.	
	without	IP 00	approx. 5.5 or 7.3*	-	110/50	99 - 121	on req.	-	E22-110/50-M0	720014	o. r.	
	without	IP 00	approx. 5.5 or 7.3*	-	230/50	198 - 244	on req.	-	E22-230/50-M0	720011	o. r.	
	without	IP 00	approx. 3.5	-	230/50	198 - 244	on req.	-	E22-230/50-L0	720061	o. r.	
	 Solenoid housing E22 (22 mm wide)	PG 7	IP 65	-	approx. 5	12 =	-	-	10.8 - 13.2	E22-012 / = -M7	720115	o. r.
		PG 7	IP 65	-	approx. 8	12 =	-	-	10.8 - 13.2	E22-012 / = -H7	720105	o. r.
		PG 7	IP 65	-	approx. 2.5	12 =	-	-	10.8 - 13.2	E22-012 / = -L7	720165	o. r.
PG 7		IP 65	-	approx. 5	24 =	-	-	21.6 - 26.4	E22-024 / = -M7	720116	o. r.	
PG 7		IP 65	-	approx. 8	24 =	-	-	21.6 - 26.4	E22-024 / = -H7	720106	o. r.	
PG 7		IP 65	-	approx. 2.5	24 =	-	-	21.6 - 26.4	E22-024 / = -L7	720166	o. r.	
PG 7		IP 65	approx. 5.5	-	24/50	21.6 - 26.4	on req.	-	E22-024/50-M7	720112	o. r.	
PG 7		IP 65	approx. 3.5	-	24/50	21.6 - 26.4	on req.	-	E22-024/50-L7	720162	o. r.	
PG 7		IP 65	approx. 5.5 or 7.3*	-	42/50	37.6 - 46.4	on req.	-	E22-042/50-M7	720113	o. r.	
PG 7		IP 65	approx. 5.5 or 7.3*	-	110/50	99 - 121	on req.	-	E22-110/50-M7	720114	o. r.	
PG 7		IP 65	approx. 5.5 or 7.3*	-	230/50	198 - 244	on req.	-	E22-230/50-M7	720111	o. r.	
PG 7		IP 65	approx. 3.5	-	230/50	198 - 244	on req.	-	E22-230/50-L7	720161	o. r.	
Pg 9		IP 65	-	approx. 5	12 =	-	-	10.8 - 13.2	E22-012 / = -M9	720215	o. r.	
Pg 9		IP 65	-	approx. 8	12 =	-	-	10.8 - 13.2	E22-012 / = -H9	720205	o. r.	
Pg 9		IP 65	-	approx. 2.5	12 =	-	-	10.8 - 13.2	E22-012 / = -L9	720265	o. r.	
Pg 9	IP 65	-	approx. 5	24 =	-	-	21.6 - 26.4	E22-024 / = -M9	720216	o. r.		
Pg 9	IP 65	-	approx. 8	24 =	-	-	21.6 - 26.4	E22-024 / = -H9	720206	o. r.		
Pg 9	IP 65	-	approx. 2.5	24 =	-	-	21.6 - 26.4	E22-024 / = -L9	720266	o. r.		
Pg 9	IP 65	approx. 5.5	-	24/50	21.6 - 26.4	on req.	-	E22-024/50-M9	720212	o. r.		
Pg 9	IP 65	approx. 3.5	-	24/50	21.6 - 26.4	on req.	-	E22-024/50-L9	720262	o. r.		
Pg 9	IP 65	approx. 5.5 or 7.3*	-	42/50	37.6 - 46.4	on req.	-	E22-042/50-M9	720213	o. r.		
Pg 9	IP 65	approx. 5.5 or 7.3*	-	110/50	99 - 121	on req.	-	E22-110/50-M9	720214	o. r.		
Pg 9	IP 65	approx. 5.5 or 7.3*	-	230/50	198 - 244	on req.	-	E22-230/50-M9	720211	o. r.		
Pg 9	IP 65	approx. 3.5	-	230/50	198 - 244	on req.	-	E22-230/50-L9	720261	o. r.		
 Solenoid housing E30 (30 mm wide)	without	IP 00	-	approx. 8	12 =	-	-	10.8 - 13.2	E30-012 / = -P0	730005	o. r.	
	without	IP 00	-	approx. 8	24 =	-	-	21.6 - 26.4	E30-024 / = -P0	730006	o. r.	
	without	IP 00	approx. 12	-	24/50	21.6 - 26.4	on req.	-	E30-024/50-P0	730002	o. r.	
	without	IP 00	approx. 12	-	42/50	37.6 - 46.4	on req.	-	E30-042/50-P0	730003	o. r.	
	without	IP 00	approx. 12	-	110/50	99 - 121	on req.	-	E30-110/50-P0	730004	o. r.	
	without	IP 00	approx. 12	-	230/50	198 - 244	on req.	-	E30-230/50-P0	730001	o. r.	
 Solenoid housing E30 (30 mm wide)	Pg 9	IP 65	-	approx. 8	12 =	198 - 244	-	10.8 - 13.2	E30-012 / = -P9	730105	o. r.	
	Pg 9	IP 65	-	approx. 8	24 =	198 - 244	-	21.6 - 26.4	E30-024 / = -P9	730106	o. r.	
	Pg 9	IP 65	approx. 12	-	24/50	21.6 - 26.4	on req.	-	E30-024/50-P9	730102	o. r.	
	Pg 9	IP 65	approx. 12	-	42/50	37.6 - 46.4	on req.	-	E30-042/50-P9	730103	o. r.	
	Pg 9	IP 65	approx. 12	-	110/50	99 - 121	on req.	-	E30-110/50-P9	730104	o. r.	
	Pg 9	IP 65	approx. 12	-	230/50	198 - 244	on req.	-	E30-230/50-P9	730101	o. r.	
	Pg 11	IP 65	-	approx. 8	12 =	-	-	10.8 - 13.2	E30-012 / = -P1	730205	o. r.	
	Pg 11	IP 65	-	approx. 8	24 =	-	-	21.6 - 26.4	E30-024 / = -P1	730206	o. r.	
	Pg 11	IP 65	approx. 12	-	24/50	21.6 - 26.4	on req.	-	E30-024/50-P1	730202	o. r.	
	Pg 11	IP 65	approx. 12	-	42/50	37.6 - 46.4	on req.	-	E30-042/50-P1	730203	o. r.	
	Pg 11	IP 65	approx. 12	-	110/50	99 - 121	on req.	-	E30-110/50-P1	730204	o. r.	
Pg 11	IP 65	approx. 12	-	230/50	198 - 244	on req.	-	E30-230/50-P1	730201	o. r.		

### Cable Socket - Type ESG-122

Price group	<b>71</b>	2-pole + PE contact	(preferred type bold print)					
Cable gland	for cable ø	Housing colour	Operating current [A] at ambient temperature up to		Pack unit	Type	Order number	Price
			75 °C	90 °C				
Pg 7	4 - 6	black	10	7	100	ESG-122-07-N-G13	702521	o. r.
Pg 9	6 - 8	black	10	7	100	<b>ESG-122-09-N-G13</b>	702523	o. r.

CHARACTERISTICS	
Constructional design	11 mm - industry standard suitable for AVS Römer solenoid housing type E22
Nominal voltage	250 V AC, 300 V DC
Nominal current 1 mm <sup>2</sup> and 1.5 mm <sup>2</sup>	16 A
Nominal current 0.75 mm <sup>2</sup>	13 A
Temp. range with profile seal G13	-40 °C to +90 °C
Temp. range with flat seal G12S	-40 °C to +125 °C
Protection class	IP 65 EN 60529
Isolation	Group C according to VDE 0110
Connection	max. 1.5 mm <sup>2</sup>
Housing material	PA (polyamide)
Profile seal G13 material	NBR (nitrile rubber)
Scope of delivery:	Cable socket, profile seal G 13, installation screw M3

### Illustration

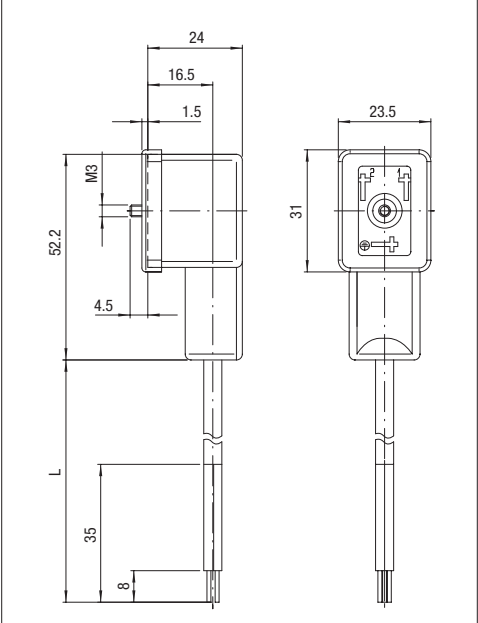


### Cable Socket - Type ESG-162

Price group	<b>71</b>	2-pole + PE contact	(preferred type bold print)					
Cable length [cm]	Cable	Housing colour	Operating current [A] at ambient temperature up to		Pack unit	Type	Order number	Price
			75 °C	90 °C				
50	PVC 3 x 0.75 H05VVF	black	5	3	100	ESG-162-N-050-06h-G13	702851	o. r.
150	PVC 3 x 0.75 H05VVF	black	5	3	100	<b>ESG-162-N-150-06h-G13</b>	702853	o. r.

CHARACTERISTICS	
Constructional design	11 mm - industry standard suitable for AVS Römer solenoid Housing Type E22
Nominal voltage	250 V AC, 300 V DC
Nominal current	10 A
Temp. range	-15 °C to +90 °C
Protection class	IP 65 EN 60529
Isolation	Group C according to VDE 0110
Housing material	PA (polyamide)
Profile seal G13 material	NBR (nitrile rubber)
Scope of delivery:	Cable socket, profile seal G 13, installation screw M3

### Illustration



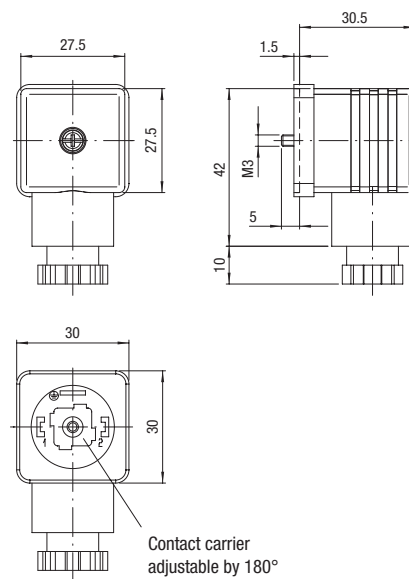
### Cable Socket - Type ESG-182

Price group **71** 2-pole + PE contact (preferred types bold print)

Cable gland	for cable ø	Housing colour	Operating current [A] at ambient temperature up to		Pack unit	Type	Order number	Price
			75 °C	90 °C				
Pg 9	6 - 8	black	10	7	100	ESG-182-09-N-G11	701021	o. r.
Pg 11	8 - 10	black	10	7	100	<b>ESG-182-11-N-G11</b>	701023	o. r.

CHARACTERISTICS	
Constructional design	DIN 43650 construction A suitable for AVS Römer solenoid housings type E30 and E44
Nominal voltage	250 V AC, 300 V DC
Nominal current 1 mm <sup>2</sup> and 1.5 mm <sup>2</sup> :	16 A
Nominal current 0.75 mm <sup>2</sup> :	13 A
Temp. range with profile seal G13	-40 °C to +90 °C
Protection class	IP 65 EN 60529
Isolation	Group C according to VDE 0110
Connection	max. 1.5 mm <sup>2</sup>
Housing material	PA (polyamide)
Profile seal G11 material	NBR (nitrile rubber)
Scope of delivery:	Cable socket, profile seal G 11, installation screw M3

### Illustration



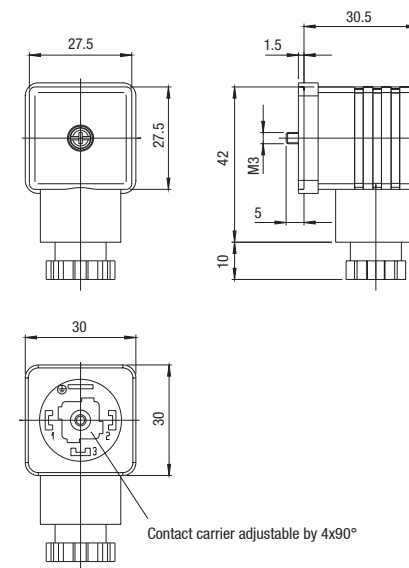
### Cable Socket - Type ESG-183

Price group **71** 3-pole + PE contact (preferred type bold print)

Cable gland	for cable ø	Housing colour	Operating current [A] at ambient temperature up to		Pack unit	Type	Order number	Price
			75 °C	90 °C				
Pg 9	6 - 8	black	10	7	100	ESG-183-09-N-G11	701071	o. r.
Pg 11	8 - 10	black	10	7	100	<b>ESG-183-11-N-G11</b>	701073	o. r.

CHARACTERISTICS	
Constructional design	DIN 43650 construction A suitable for AVS Römer electro-ball valve type EKH
Nominal voltage	250 V AC, 300 V DC
Nominal current 1 mm <sup>2</sup> and 1.5 mm <sup>2</sup> :	16 A
Nominal current 0.75 mm <sup>2</sup> :	13 A
Temp. range with profile seal G13	-40 °C to +90 °C
Protection class	IP 65 EN 60529
Isolation	Group C according to VDE 0110
Connection	max. 1.5 mm <sup>2</sup>
Housing material	PA (polyamide)
Profile seal G11 material	NBR (nitrile rubber)
Scope of delivery:	Cable socket, profile seal G 11, installation screw M3

### Illustration



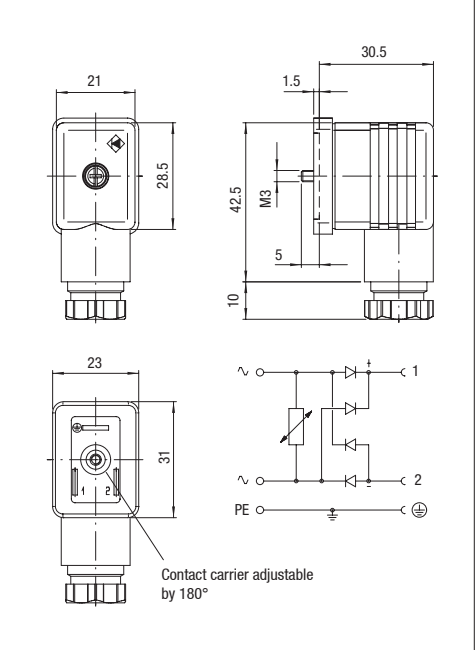
### Cable Socket - Type ESG-572

Price group **71** with bridge rectifier, 2-pole + PE contact

Cable gland	for cable ø	Housing colour	Operating current [A] at ambient temperature up to		Pack unit	Type	Order number	Price
			75 °C	90 °C				
Pg 9	6 - 8	black	0.8	0.6	100	ESG-572-09-N-220VAC-G13	702755	o. r.

CHARACTERISTICS	
Constructional design	11 mm - industry standard suitable for AVS Römer solenoid housing type E22
Connection voltage	220 V AC
Outlet voltage	198 V DC (others on request)
Temp. range	-15 °C to +90 °C
Protection class	IP 65 EN 60529
Isolation	Group C according to VDE 0110
Connection	max. 1.5 mm <sup>2</sup>
Housing material	PA (polyamide)
Profile seal G13 material	NBR (nitrile rubber)
Scope of delivery	Cable socket, profile seal G13, installation screw M3

### Illustration



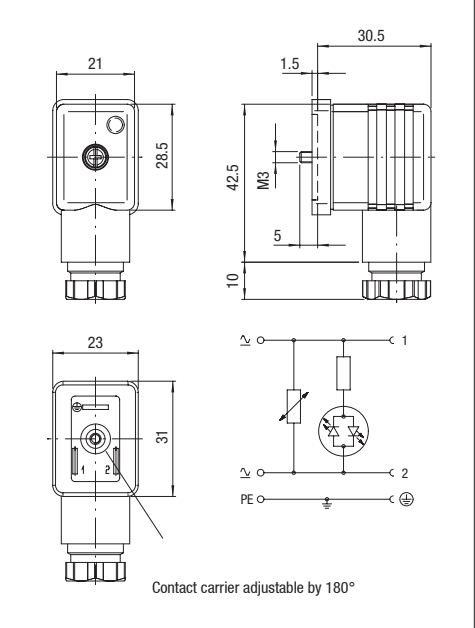
### Cable Socket - Type ESG-542

Price group **71** with suppressor circuit, 2-pole + PE contact

Cable gland	for cable ø	Housing colour	Operating current [A] at ambient temperature up to		Pack unit	Type	Order number	Price
			75 °C	90 °C				
Pg 9	6 - 8	transp.	2.5	2	100	ESG-542-09-T-C4-024VDC-G13	702806	o. r.

CHARACTERISTICS	
Constructional design	11 mm - industry standard suitable for AVS Römer solenoid housing type E22
Connection voltage	24 V DC suppressor circuit polarity reversal protected red LED in transparent Housing
Temp. range	-15 °C to +90 °C
Protection class	IP 65 EN 60529
Isolation	Group C according to VDE 0110
Connection	max. 1.5 mm <sup>2</sup>
Housing material	PA (polyamide, transparent)
Profile seal G13 material	NBR (nitrile rubber)
Scope of delivery	Cable socket, profile seal G13, installation screw M3

### Illustration



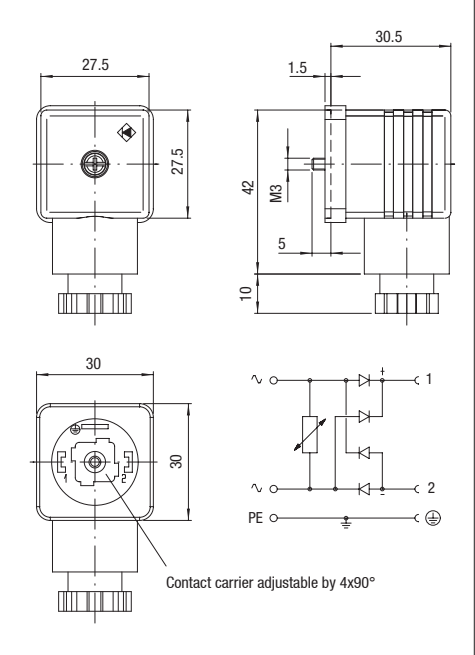
### Cable Socket - Type ESG-132

Price group **71** with bridge rectifier, 2-pole + PE contact

Cable gland	for cable ø	Housing colour	Operating current [A] at ambient temperature up to		Pack unit	Type	Order number	Price
			75 °C	90 °C				
Pg 9	6 - 8	black	1.5	1.4	100	ESG-132-09-N-220VAC-G11	701505	o. r.

CHARACTERISTICS	
Constructional design	DIN 43650 construction A suitable for AVS Römer solenoid housings type E30/E44
Connection voltage	220 V AC
Outlet voltage	198 V DC (others on request)
Temp. range	-15 °C to +90 °C
Protection class	IP 65 EN 60529
Isolation	Group C according to VDE 0110
Connection	max. 1.5 mm <sup>2</sup>
Housing material	PA (polyamide)
Profile seal G11 material	NBR (nitrile rubber)
Scope of delivery	Cable socket, profile seal G11, installation screw M3

### Illustration



### Cable Socket - Type ESG-532

Price group **71** with suppressor circuit, 2-pole + PE contact

Cable gland	for cable ø	Housing colour	Operating current [A] at ambient temperature up to		Pack unit	Type	Order number	Price
			75 °C	90 °C				
Pg 9	6 - 8	transp.	2.5	2	100	ESG-532-09-T-C4-024VDC-G11	701705	o. r.

CHARACTERISTICS	
Constructional design	DIN 43650 construction A suitable for AVS Römer solenoid housings type E30/E44
Connection voltage	24 V DC suppressor circuit polarity reversal protected red LED in transparent Housing
Temp. range	-15 °C to +90 °C
Protection class	IP 65 EN 60529
Isolation	Group C according to VDE 0110
Connection	max. 1.5 mm <sup>2</sup>
Housing material	PA (polyamide, transparent)
Profile seal G11 material	NBR (nitrile rubber)
Scope of delivery	Cable socket, profile seal G11, installation screw M3

### Illustration

