

Filter with Push-in Connector



AVS Römer function fittings, i.e., filters, non-return valves, throttles, quick-release couplings... in combination with the Established **ELSA push-in connectors** by AVS-Römer.

Application

AVS Römer function fittings are used in a variety of neutral gaseous and liquid media. If the fitting materials are suitable, application with aggressive media is permitted. See also the information on characteristics.

CHARACTERISTICS

BODY MATERIAL / SUITABILITY

Stainless steel AISI 316L	Corresponds to 1.4404 stainless steel . Suitable for many aggressive media, in particular at higher pressures.	
Plastic PPSU	Polyphenylsulfone. Suitable for many aggressive media with temperatures up to 140 °C (hot water, steam). Can be used with FDA-compliant FKM sealing rings or FDA-compliant and KTW-approved EPDM sealing rings in the food and pharmaceutical industries. Caution! PPSU should not be used in contact with aromatic hydrocarbons, oxidising acids, acetone, chlorinated hydrocarbons, ethers or ketones! Also, PPSU should not be placed directly in contact with anaerobic adhesives!	
Other materials	see relevant products	
Approval	NSF/ANSI 169	
TUBE		
Outside diameter [mm]	4 and 6	
Perm. tolerance [mm]	±0.1	
Permitted grade	Polyamide (PA), polyurethane (PU), fluorine polymer (FEP and PFA)	
OPERATING PRESSURE / TEMPERATURE		
Plastic version	Operating pressure 0 to 16 bar Temperature-dependent	Means that the allowable operating pressure OP is also dependent on the medium temperature within the allowable ambient temperature. Values on request.
Allowable operating pressure and operating temperature of pipe/tube must be observed!		

Filter with Push-in Connector and Stem

 Price group **23**

PN 16

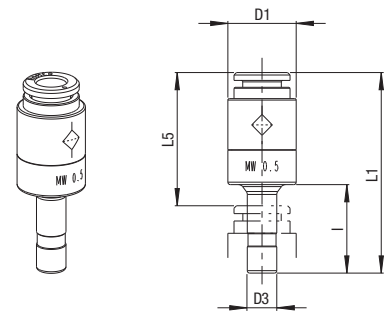

 Amb. temp. T_{\min} 0 °C, T_{\max} +60 °C
 Med.-Temp. T_{\min} 0 °C, T_{\max} +140 °C


Plastic PPSU

 Operating pressure 0 to max. 16 bar
 Temperature-dependent

 Material: Body: PPSU, filter: 1.4301,
 Seal: EPDM (KTW-approved)

DN	KV value water [m³/h]	for tube D	D3	I	L1	L5	D1	Mesh size MW [mm]	Weight in [g]	Type	Order number	Price
2.5	0.15	4	4	17	40.3	25.5	13.9	0.1	4.5	SMF-947P3-4PF-D4-100	498143	o. r.
2.5	0.15	4	4	17	40.3	25.5	13.9	0.5	4.6	SMF-947P3-4PF-D4-500	498144	o. r.
4	0.45	6	6	18	40.8	25.2	13.9	0.1	4.6	SMF-947P3-6PF-D6-100	498145	o. r.
4	0.5	6	6	18	40.8	25.2	13.9	0.5	4.8	SMF-947P3-6PF-D6-500	498146	o. r.

Illustration

Filter with Push-in Connectors

 Price group **23**

PN 16


 Amb. temp. T_{\min} 0 °C, T_{\max} +60 °C
 Med.-Temp. T_{\min} 0 °C, T_{\max} +140 °C


Plastic PPSU

 Operating pressure 0 to max. 16 bar
 Temperature-dependent

 Material: Body: PPSU, filter: 1.4301,
 Seal: EPDM (KTW-approved)

DN	KV value water [m³/h]	for tube D	L6	D1	Mesh size MW [mm]	Weight in [g]	Type	Order number	Price
2.5	0.18	4	37.4	13.9	0.1	7	SMF-958P3-4PF-100	498147	o. r.
2.5	0.18	4	37.5	13.9	0.5	7.1	SMF-958P3-4PF-500	498148	o. r.
4	0.55	6	38.3	13.9	0.1	7.1	SMF-958P3-6PF-100	498149	o. r.
4	0.60	6	38.4	13.9	0.5	7.3	SMF-958P3-6PF-500	498150	o. r.

Illustration
